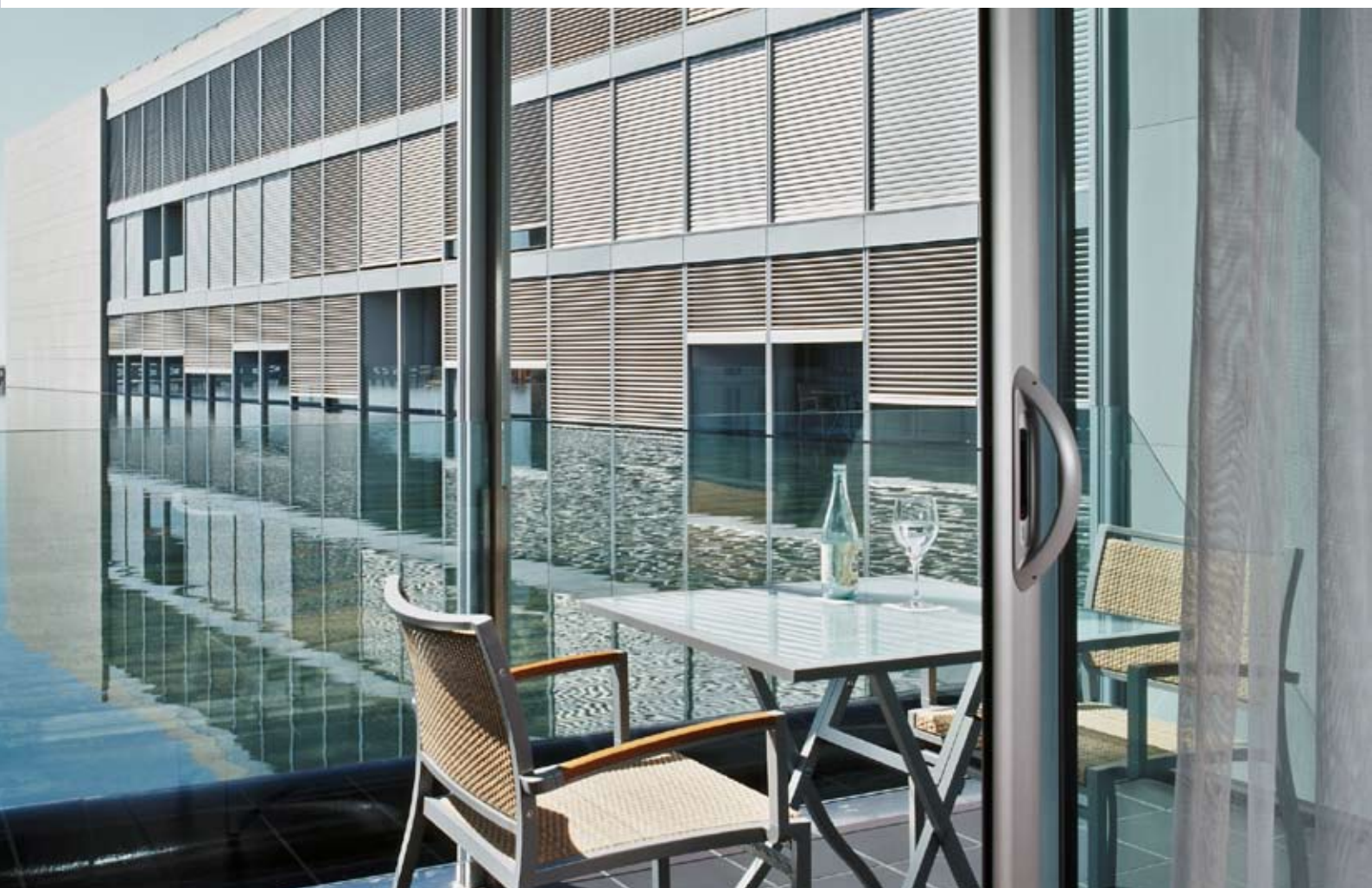


## External venetian blinds from Griesser. Metalunic®



min. 500 mm, crank drive  
min. 700 mm, motor drive  
max. 2800 mm



min. 440 mm  
max. 3500 mm



max. 6,5 m<sup>2</sup>, single blind  
max. 16 m<sup>2</sup>, connected systems with  
motor drive

**External venetian blind all-metal with all-round functions.**



- 1 Each slat is individually fastened to the mechanism on the side.
- 2 Plastic sealing lip for good shading.
- 3 Perforated stainless steel strip.
- 4 Stainless scissor chain.

- 5 Carriage with safety sensing edge and safety locking device.



Robust, kink-proof profile with rolled-in plastic sealing lip for good shading. Slats can be replaced individually.



No visible vertical connections.



Safety locking device in each position.



Safety sensing edge.

## Limit dimensions

### *bk* Width of construction (rear edge of guide rails)

Minimum

– Crank drive 500 mm

– Motor drive 700 mm

Maximum 2800 mm

Buildings and high-rise structures which are very exposed to wind and at ground level, we would recommend limiting the width of the blinds to approx. 2 m for stability reasons.

### *hl* Height of available light

Minimum 440 mm

Maximum 3500 mm

### *bk* × *hl* Maximum surface area

Single blind

– With crank drive 6.5 m<sup>2</sup>

– With motor drive 6.5 m<sup>2</sup>

### Connected systems

(Max. system width 8.4 m)

– With crank drive (max. 3 blinds)

2 blinds per system 5 m<sup>2</sup>

3 blinds per system 4 m<sup>2</sup>

A max. of 2 blinds may be connected on each side of the gearbox.

– With motor drive

2 blinds 13 m<sup>2</sup>

3-4 blinds 16 m<sup>2</sup>

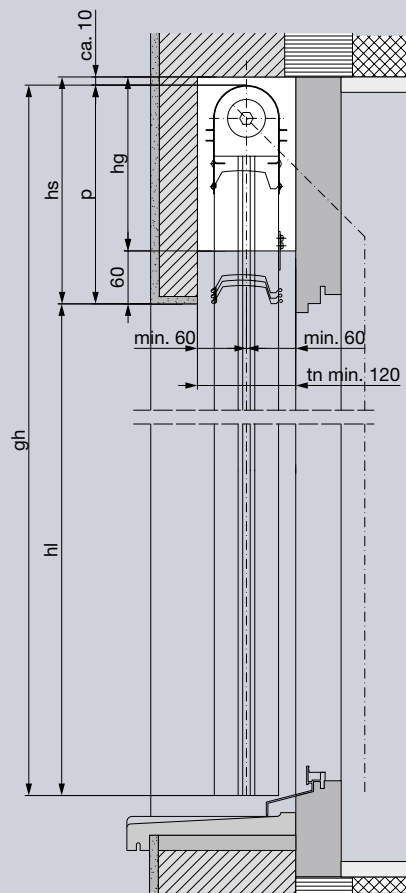
For 3 or 4 blinds, the motor should be positioned in the centre.

## Lintel dimensions

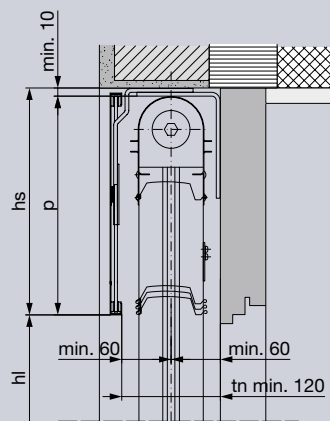
Height of available light ( <i>hl</i> )	Height of lintel ( <i>hs</i> )
mm	mm
400-1000	270
1001-1250	285
1251-1500	310
1501-1750	340
1751-2000	365
2001-2250	390
2251-2500	420
2501-2750	445
2751-3000	470
3001-3250	500
3251-3500	525

Lintel dimensions are approximate values which may exhibit negative or positive deviations depending on the technical circumstances.

### Vertical section: Example of header



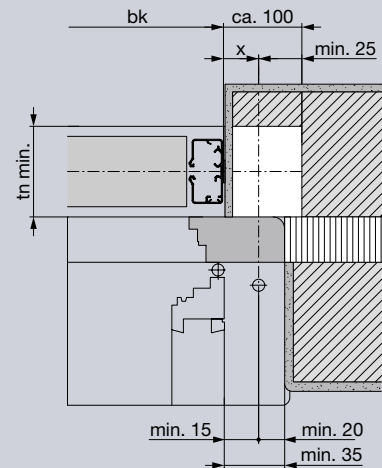
### Vertical section: Example with cover



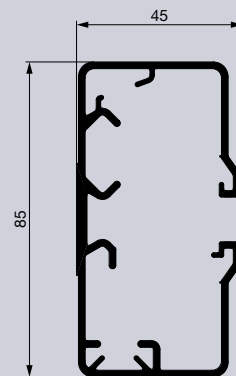
Depth of niche *tn*: 120 mm + possible addition for protruding weatherboard or doorknobs. A dimensional tolerance of ±5 mm is observed for the lintel height.

### Horizontal section for crank drive

With recess (white) for gearbox (not necessary for motor drive). *x* = Dimension from rear edge of guide rails to centre of drive; depending on window construction – min. 25 mm.



### Guide rails



### Key

**bk** = Width of construction  
**hl** = Height of available light  
**p** = Height of package  
**gh** = Total height (*hl* + *p*)  
**hs** = Height of lintel (*p* + min. 10)  
**hg** = Height of gearbox recess (*hs* - 60)  
**tn** = Depth of niche

All dimensions in mm.





Safety locking device in each position.



Safety sensing edge.



Slats can be replaced individually – extremely easy to clean and maintain.



## Design description

### *Blind system*

All-metal construction with self-supporting slats. Lifting and adjustment mechanism integrated into lateral guides. Stainless steel strip drive with enforced lowering function and safety sensing edge. Stainless scissor chain for slat adjustment in each blind position. Lowering position at 37°, 45° or 70°. Blinds are raised in the brightness position (-20°). Good shading function. Integrated safety locking device.

### *Slats*

Robust, kink-proof profile with rolled-in sound-absorbing plastic sealing lip. Damaged slats can be replaced individually. Curved and bordered on both sides, 96 mm wide, annealed with aluminum.

### *Guide rails*

Made from extruded aluminum, 85 × 44 mm, with sound-absorbing plastic slides on the pivot arms. Transparently anodized (baked enamel finish as an option).





## Colors

### *GriColors*

The GriColors range includes 100 color shades in four collections, Glass & Stone, Sun & Fire, Water & Moss and Earth & Wood – from cool white and sunny red to natural blue and earthy brown.

### *BiColor (option)*

External venetian blinds get a new color: when the outside of the slat is brightly colored, a neutral light tone on the inside can optimize the blind functions (as an option). The interior view shows the colors outside on the border edges.

The guides and end rails are transparently anodized (baked enamel finish in one color as an option).

## Operating instructions

- The solar shading systems should be retracted if it is windy.
- The systems must not be operated if there is a risk of ice.
- The systems must be accessible for maintenance work.
- Observe the VSR data sheets.

For more information about our services and products and for planning tips, go to [www.griessergroup.com](http://www.griessergroup.com).



## Your partner

Subject to change without prior notice