

External venetian blinds from Griesser. Solomatic®



min. 500 mm, crank drive
min. 600 mm, motor drive
max. 4500 mm



min. 400 mm, Solomatic® 70
min. 440 mm, Solomatic® 80
max. 4200 mm



max. 11 m², single blind, crank drive
max. 15 m², single blind, motor drive
max. 24 m², connected systems with
motor drive

Aluminum external venetian blind with beaded slats with quality standard.



Two different slat widths: Solomatic® 80 (82 mm) or Solomatic® 70 (72 mm).



Plastic coatings in all press cuts.



Guide rails



Guide cable

- 1 The aluminum slats have an asymmetrical profile.
- 2 Wind-stable guide nipple.
- 3 The high-quality lifting tapes have an exemplary product life thanks to the plastic coatings in all the press cuts.

- 4 Insulation inserts in the aluminum guide profiles.

Limit dimensions

bk Width of construction

Minimum

- Crank drive 500 mm
- Motor drive 600 mm

Maximum 4500 mm

Buildings and high-rise structures which are very exposed to wind, this maximum value should be decreased as required.

hl Height of available light

Minimum

- Solomatic® 70 400 mm
- Solomatic® 80 440 mm

Maximum 4200 mm

bk × hl Maximum surface area

Single blind

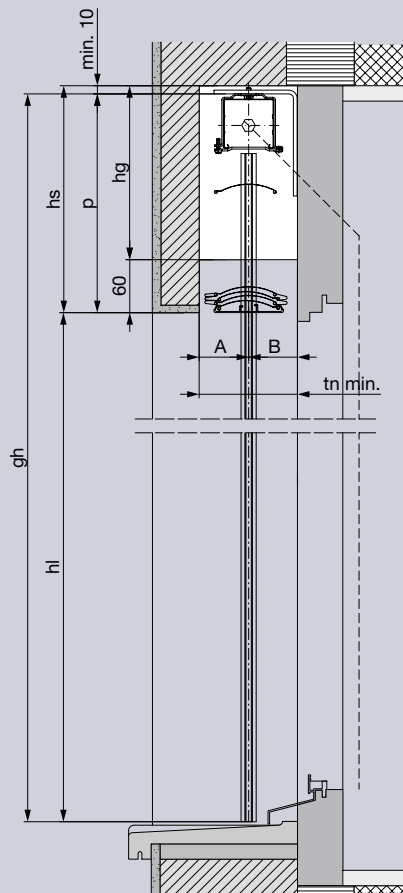
- Crank drive 11 m²
- Motor drive 15 m²

Connected systems

(Max. system width 10 m)

- With crank drive (Max. 4 blinds) 11 m²
A max. of 2 blinds may be connected on each side of the gearbox.
- With motor drive (Max. 4 blinds) 24 m²
For 3 or 4 blinds, the motor should be positioned in the centre.

Vertical section: Example of lintel



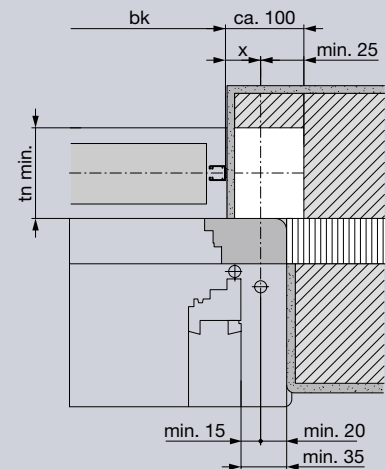
Horizontal section for crank drive

With recess (white) for gearbox (not necessary for motor drive).

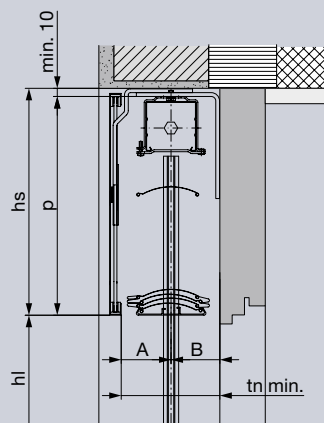
x = Dimension from rear edge of guide rails to centre of drive; depending on window construction – no specification.

With gearbox in slat area:

hs +20 mm. A dimensional tolerance of ±5 mm is observed for the lintel height.



Vertical section: Example of cover



Depth of niche

	tn	A	B
Solomatic® 70	min. 100*	50	50
Solomatic® 80	min. 120*	60	60

* + possible addition for protruding weatherboard or doorknobs.

Lintel dimensions

Height of available light (hl)	Height of lintel (hs)	
	Solomatic®	
	80	70
400-1000 mm	175 mm	170 mm
1001-1250 mm	190 mm	180 mm
1251-1500 mm	205 mm	195 mm
1501-1750 mm	220 mm	210 mm
1751-2000 mm	240 mm	220 mm
2001-2250 mm	250 mm	240 mm
2251-2500 mm	270 mm	250 mm
2501-3000 mm	300 mm	280 mm
3001-3500 mm	330 mm	305 mm
3501-4000 mm	360 mm	330 mm
4001-4200 mm	370 mm	340 mm

Valid for conventional installation/Solomatic Fix and Solomatic with tensioning cable guide. Lintel dimensions are approximate values which may exhibit negative or positive deviations depending on the technical circumstances.

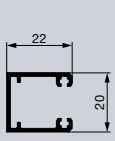
Key

- bk = Width of construction
- hl = Height of available light
- p = Height of package
- gh = Total height (hl + p)
- hs = Height of lintel (p + min. 10)
- hg = Height of gearbox recess (hs -60)
- tn = Depth of niche

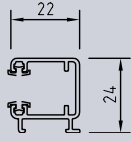
All dimensions are in mm.

Guides

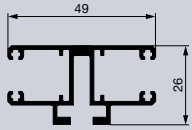
Guide rails



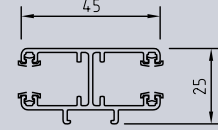
Type E



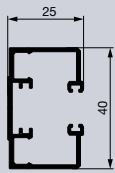
Type C



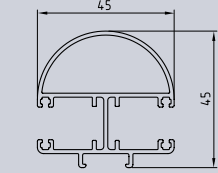
Type D



Type T

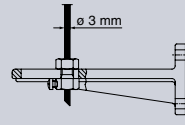


Type F



Type R

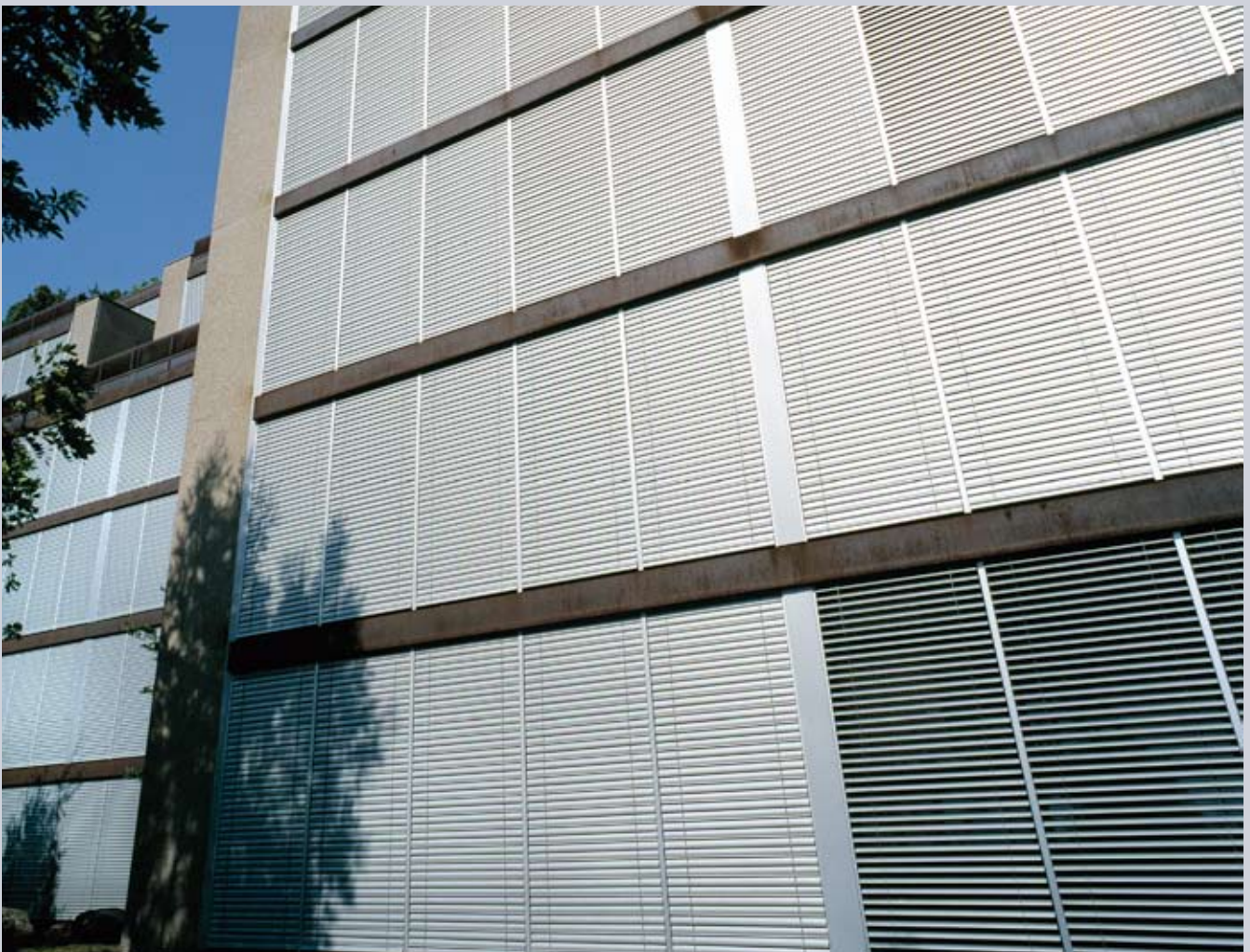
Guide cable



Option

Solomatic® Fix

The Solomatic® Fix self-supporting blind design preserves the insulation in the lintel and reduces service costs. Up to a width of 2000 mm the system requires no fastening for the housing – the insulation remains intact and noise transfer is reduced. The stable guide rails (40 x 25 mm) feature service openings.



Design description

Blind system

Aluminum external venetian blinds with beaded slats with each individual slat directly fastened to the adjusting tapes (gray) – high wind stability. Lifting tapes (gray) with edge and UV protection. Slat functions: Lower in the closed position, adjustable at every height.

Slats

Asymmetrically curved profile, bordered on both sides with high level of kink resistance. Guide nipple made from polyamide (noise-insulating design). All lifting tape slots with gray plastic coating. Slats annealed with aluminum. End rail made from extruded aluminum, transparently anodized (annealed as an option).

Guide rails

Made from extruded aluminum 20 × 22 mm (Solomatic® Fix 40 × 25 mm), with weatherproof noise insulation inserts, transparently anodized (annealed as an option).

Guide cable

Slats fitted with eyes (gray) to minimize wear. Transparently encased stainless steel cables. Motorized systems with spring tensioning element in the housing as standard. In the case of a bk greater than 3000 mm or in locations exposed to the wind, additional wind protection is required.

Housing

Made from sendzimir galvanized sheet steel, open at the bottom, with lifting and adjustment mechanism.

Colors

GriColors

The GriColors range includes 100 color shades in four collections, Glass & Stone, Sun & Fire, Water & Moss and Earth & Wood – from cool white and sunny red to natural blue and earthy brown.

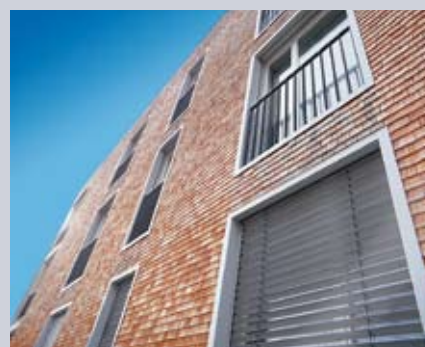
BiColor (option)

External venetian blinds get a new color: when the outside of the slat is brightly colored, a neutral light tone on the inside can optimize the blind functions (as an option). The interior view shows the colors outside on the border edges. The guides and end rails are transparently anodized (annealed in one color as an option).

Operating instructions

- The sun protection systems should be retracted in good time if it is windy.
- The systems must not be operated if there is a risk of ice.
- The systems must be accessible for maintenance work.
- Observe the VSR data sheets.

For more information about our services and products and for planning tips, go to www.griessergroup.com



Your Partner

Subject to change without prior notice